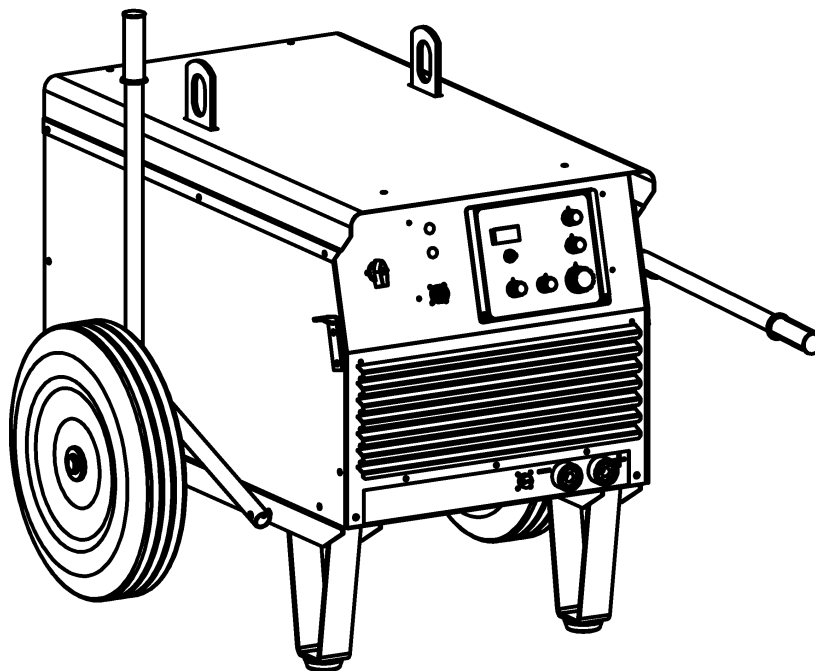


**Spare parts list**

Edition 20120210



Valid for serial no. 734-xxx-xxxx, 749-xxx-xxxx, 751-xxx-xxxx

**Ordering no. Product**

0349 310 650	Origo™ Arc 410c, A12	230/400-415/500V 3~50Hz 230/440-460/550V 3~60Hz
0349 311 200	Origo™ Arc 410c, A11	230/400-415/500V 3~50Hz 230/440-460/550V 3~60Hz
0349 311 480	Origo™ Arc 410c, A12 offshore	230/400-415/500V 3~50Hz 230/440-460/550V 3~60Hz
0349 311 490	Origo™ Arc 410c, A12 stationary	230/400-415/500V 3~50Hz 230/440-460/550V 3~60Hz
0349 311 210	Origo™ Arc 650c, A12	230/400-415/500V 3~50Hz 230/440-460/550V 3~60Hz
0349 311 500	Origo™ Arc 650c, A12 offshore	230/400-415/500V 3~50Hz 230/440-460/550V 3~60Hz
0349 311 510	Origo™ Arc 650c, A12 stationary	230/400-415/500V 3~50Hz 230/440-460/550V 3~60Hz
0349 311 430	Origo™ Arc 810c, A12 offshore	230/400-415/500V 3~50Hz 230/440-460/550V 3~60Hz

Spare parts are to be ordered through the nearest ESAB agency. Kindly indicate type of unit, serial number, denominations and ordering numbers according to the spare parts list.

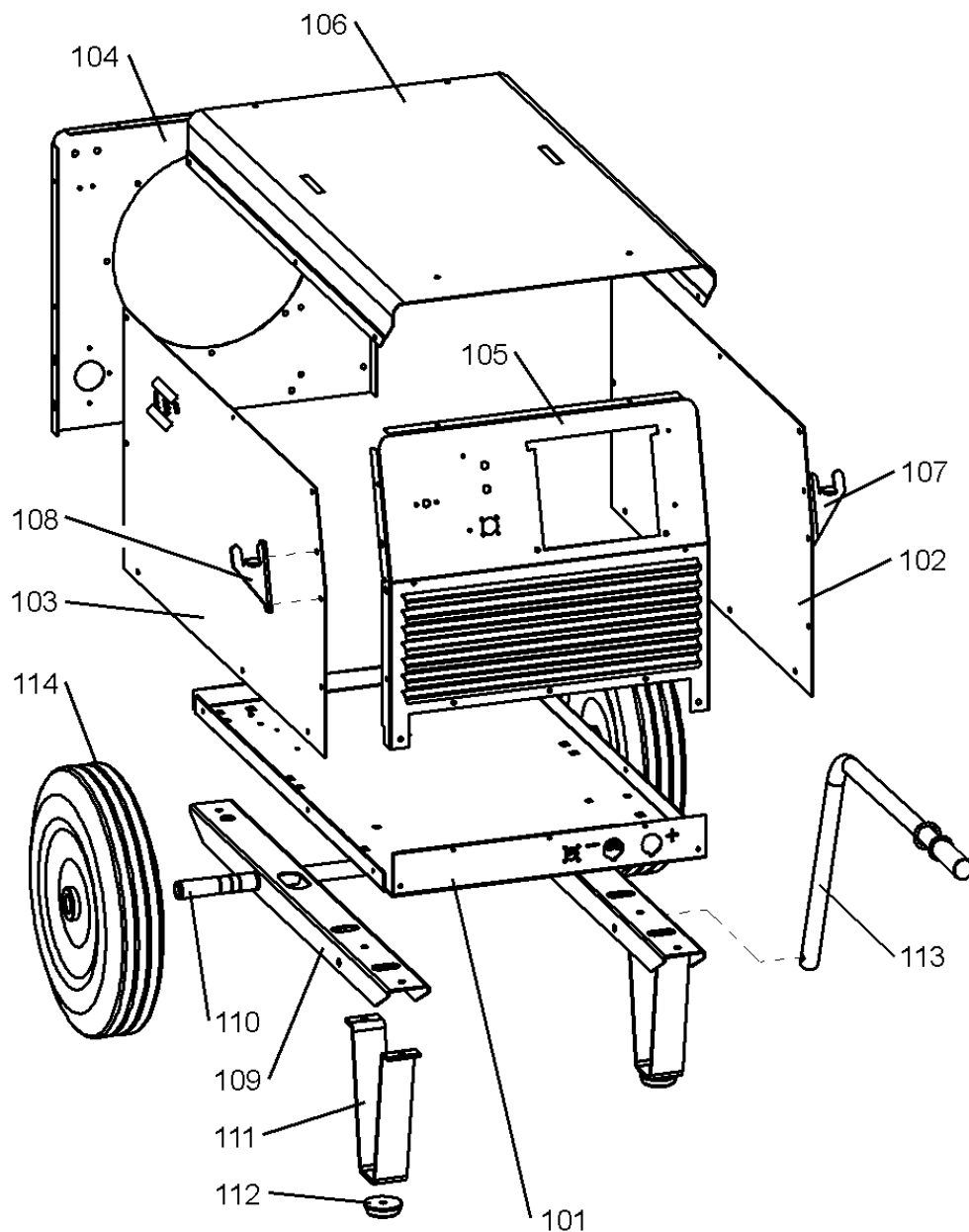
Maintenance and repair work should be performed by an experienced person, and electrical work only by a trained electrician. Use only recommended spare parts.

Rights reserved to alter specifications without notice.

**Arc 410c, Arc 650c, Arc 810c**

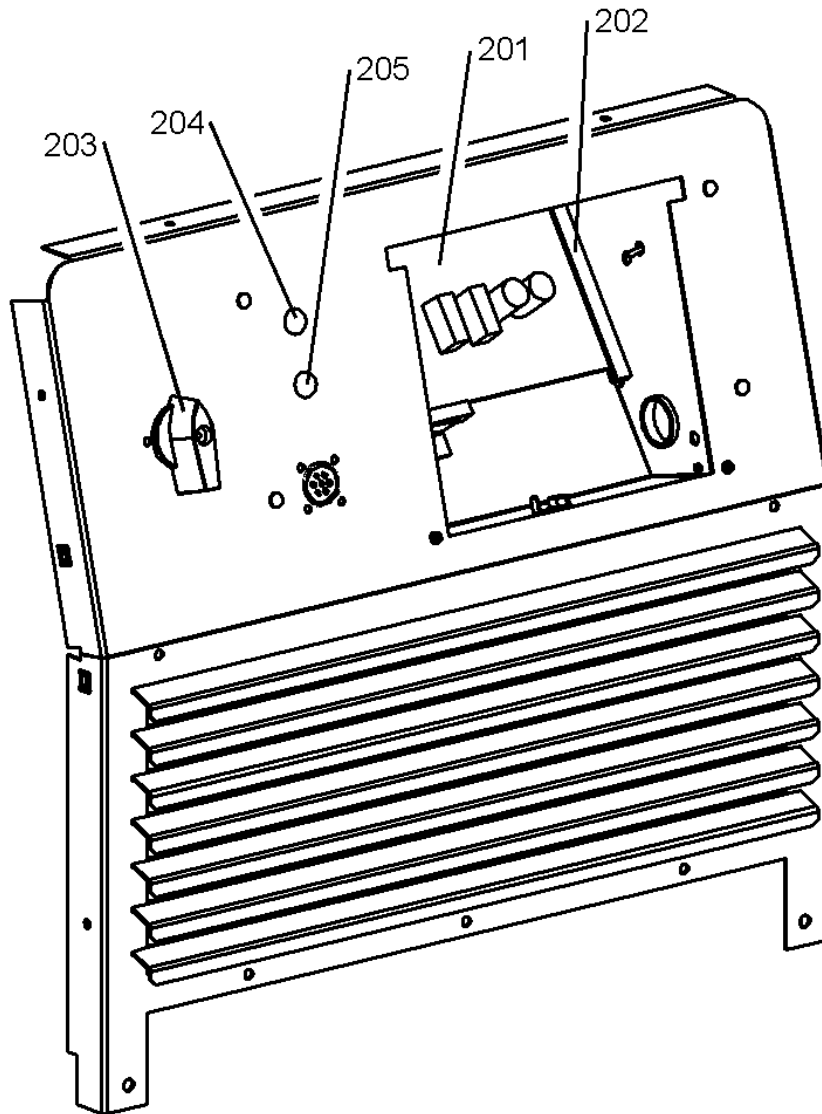
Item	Qty 410c	Qty 650c	Qty 810c	Ordering no.	Denomination	Notes
101	1	1	-	0349 311 262	Bottom plate	
	-	-	1	0349 484 055	Bottom plate	
102	1	1	1	0349 311 315	Side panel left	
103	1	1	1	0349 311 314	Side panel right	
104	1	1	1	0349 311 287	Rear plate	
105	1	1	1	0349 311 289	Front plate	
106	1	1	1	0349 311 311	Cover	
107	1	1	1	0349 311 374	Bracket left	
108	1	1	1	0349 311 373	Bracket right	
109	1	1	1	0349 311 359	Beam	
110	1	1	1	0365 046 001	Axle	
111	1	1	1	0319 738 001	Foot	
112	1	1	1	0319 455 002	Feet	
113	1	1	1	0320 059 881	Handle compl.	
114	1	1	1	0365 038 001	Wheel	

Arc 410c, Arc 650c, Arc 810c



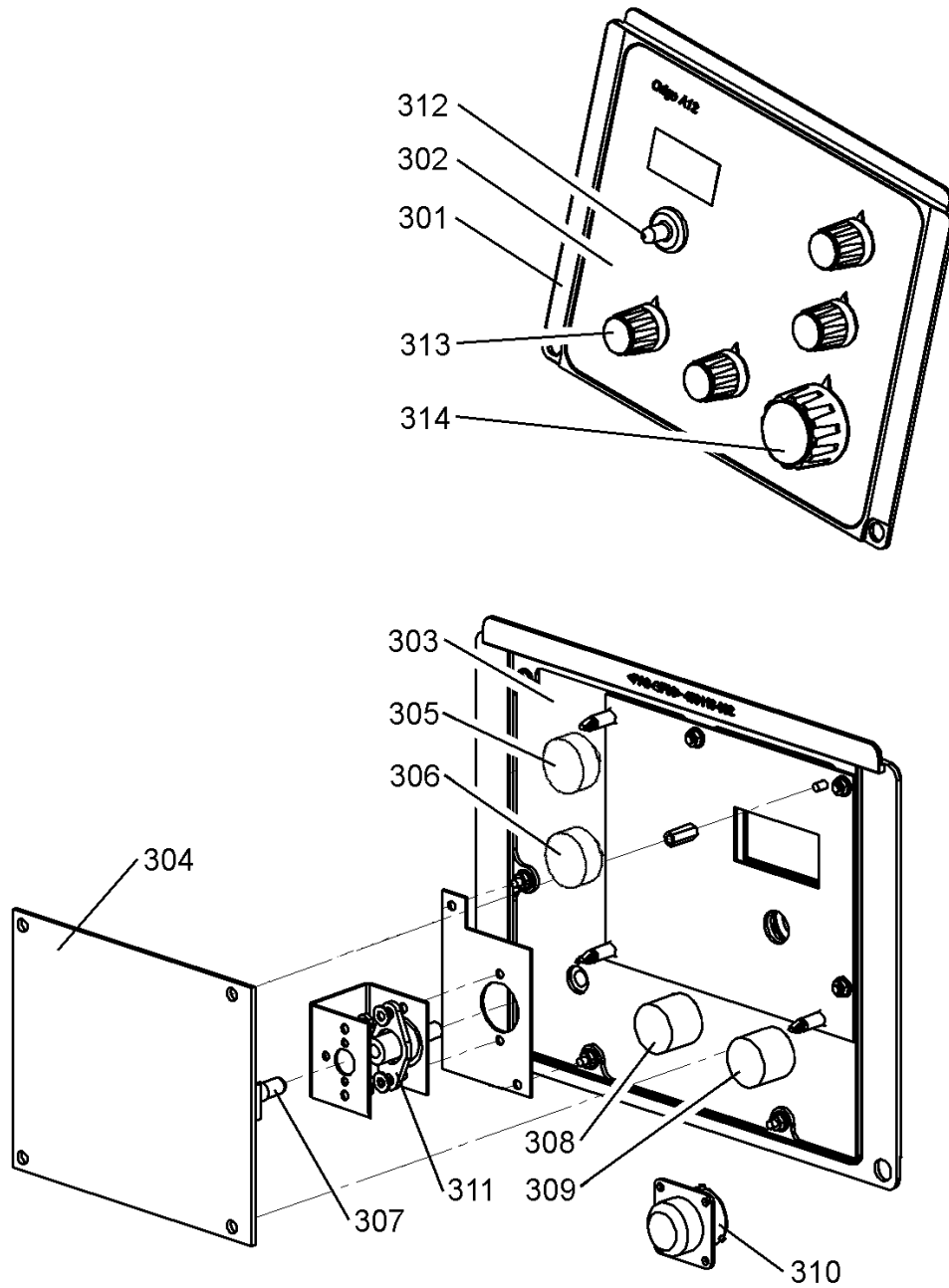
**Arc 410c, Arc 650c, Arc 810c**

Item	Qty 410c	Qty 650c	Qty 810c	Ordering no.	Denomination	Notes
201	1	-	-	0349 311 073	Electronics board	Valid for non-Offshore up to No.:734-916-xxxx Valid for Offshore up to No.:734-921-xxxx
	-	1	-	0349 311 580	Electronics board	Valid for non-Offshore up to No.:749-918-xxxx Valid for Offshore up to No.:749-921-xxxx
	-	-	1	0349 311 581	Electronics board	Valid for non-Offshore up to No.:751-920-xxxx Valid for Offshore up to No.:751-921-xxxx
	1	-	-	0349 311 846	Electronics board	Valid for non-Offshore from No.:734-917-xxxx Valid for Offshore from No.:734-922-xxxx
	-	1	-	0349 311 849	Electronics board	Valid for non-Offshore from No.:749-919-xxxx Valid for Offshore from No.:749-922-xxxx
	-	-	1	0349 311 851	Electronics board	Valid for non-Offshore from No.:751-921-xxxx Valid for Offshore from No.:751-922-xxxx
202	2	2	2	0365 745 001	Holder for PC board	
203	1	1	1	0349 302 305	Switch	
204	1	1	1	0369 733 007	Signal lamp	
205	1	1	1	0369 733 005	Indicating lamp	



**Arc 410c, Arc 650c, Arc 810c**

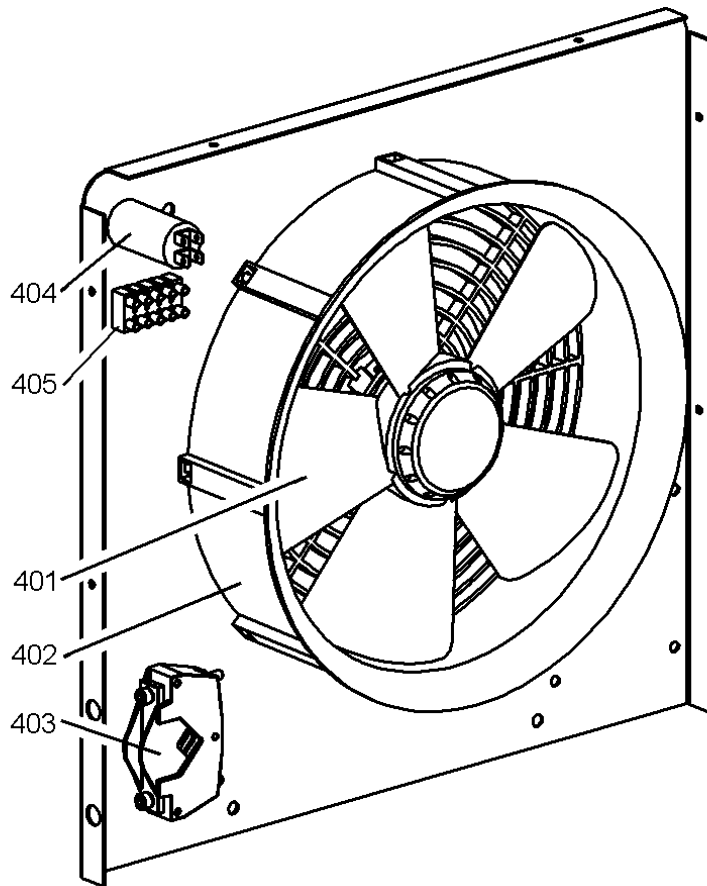
Item	Qty 410c	Qty 650c	Qty 810c	Ordering no.	Denomination	Notes
301	1	1	1	0459 118 002	Protection frame	
302	1	-	-	0349 311 445	Label	Panel A11
	1	1	1	0349 311 296	Label	Panel A12
303	1	-	-	0349 310 659	Panel	A11
	1	1	1	0349 311 294	Panel	A12
304	1	1	1	0349 311 109	Electronic board	Panel A12 only
305	1	1	1	0349 304 108	Potentiometer	
306	1	1	1	0349 486 429	Potentiometer	
307	1	1	1	0192 724 007	Potentiometer	
308	1	1	1	0349 310 918	Potentiometer	
309	1	1	1	0349 310 918	Potentiometer	
310	1	1	1	0368 544 003	Socket body	
311	-	1	1	0317 942 001	Planetary gearing	
312	1	1	1	0147 866 009	Rubber cover	Panel A12 only
313	4	4	4	0460 600 321	Knob	
	3	-	-	0460 600 321	Knob	with Panel A11
314	1	-	-	0460 600 836	Knob	
	-	1	1	0460 600 336	Knob	



**Arc 410c, Arc 650c, Arc 810c**

<b>Item</b>	<b>Qty</b>	<b>Ordering no.</b>	<b>Denomination</b>	<b>Notes</b>
401	1	0162 430 001	Fan	
402	1	0319 838 001	Fan casing	
403	1	0469 950 880	Cable inlet	
404	1	0191 085 202	Capacitor	2uF, 400V
405	1	0349 303 841	Connection block	





**Arc 410c, Arc 650c, Arc 810c**

Item	Qty 410c	Qty 650c	Qty 810c	Ordering no.	Denomination	Notes
501	1	-	-	0349 311 251	Transformer	
	1	-	-	0349 311 568	Transformer	only Offshore
	-	1	-	0349 311 253	Transformer	
	-	1	-	0349 311 576	Transformer	only Offshore
	-	-	1	0349 311 532	Transformer	
502	1	-	-	0349 309 558	Inductor	
	1	-	-	0349 311 569	Inductor	only Offshore
	-	1	-	0349 310 798	Inductor	
	-	1	-	0349 311 577	Inductor	only Offshore
	-	-	1	0349 311 193	Inductor	
503	1	-	-	0349 308 601	Choper	SKS 400
	-	1	-	0349 311 236	Choper	SKS 650
	-	-	1	0349 311 238	Choper	SKS 800
	1	1	1	SCOMES – 0349311821 SEMIKRON – 0349311822	Thermal switch	Valid up to serial no.: xxx-145-xxxx
504	1	1	1	0467 992 881	Shunt	600A, 60mV
505	1	1	1	0349 311 233	Transformer	
506	1	-	-	0349 484 211	Contactactor	
	-	1	-	0349 311 407	Contactactor	
	-	-	1	0349 311 409	Contactactor	
507	1	1	1	0349 310 724	Resistor	22Ω, 50W
	1	1	1	0349 485 729	Resistor	100Ω, 50W
508	1	1	1	0457 290 046	Rectifier bridge	
509	1	1	1	0162 772 001	Connection block	
510	1	1	1	0486 216 880	PC board mains filter	
511	2	2	-	0160 362 881	OKC contact	50-90mm <sup>2</sup>
	-	-	2	0160 362 882	OKC contact	120mm <sup>2</sup>

